

JW RETRACTABLE STAINLESS STEEL HOSE REEL

20M CAPACITY



The Jetwave® Retractable Stainless Steel hose reel is a professional reel designed to hold up to 20m of 3/8" hose for easier hose spooling and management.

STANDOUT FEATURES

4 Way hose guide system.

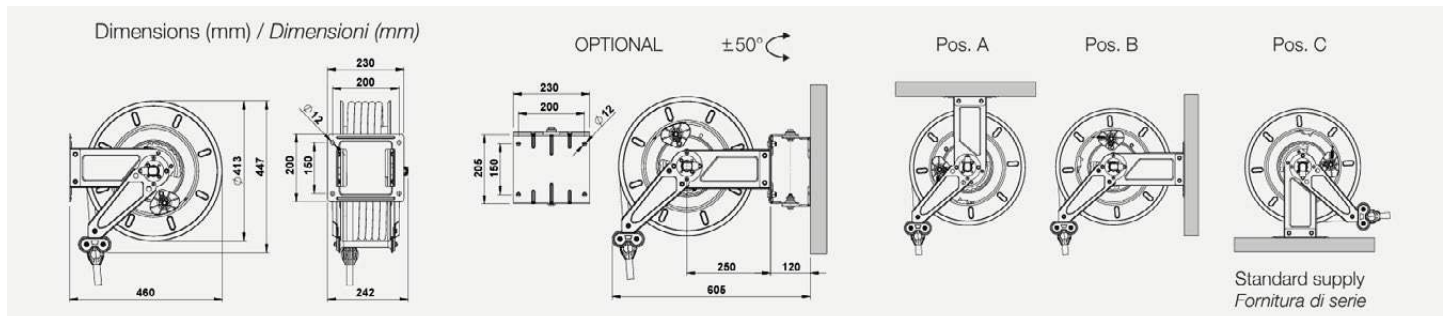
High quality stainless steel for corrosion resistance.

Rewind mechanism makes hose spooling easier.

PRODUCT CODE	MAX HOSE CAPACITY (M)	MAX PRESSURE		MAX TEMP °C	INLET	OUTLET	WEIGHT	CONFIGURATION
		PSI	BAR					
REC-1060SS	20m x 3/8"	5800	400	150	3/8" F	3/8" F	27kg	Base mount or wall mount

OPTIONAL UPGRADE

Swivel Wall Mount Bracket ALXSG20R



The manufacturer reserves the right to modify design features and technical facts without notice, due to our principals of continuous improvement.
 *Coverage against defects in material and workmanship (refer to Jetwave's and component partners T&Cs).