

PMG™ G2FI 350-23



5075
350 BAR
PSI

23
L/PM

HONDA V-TWIN
iGX700 EFI PETROL
ENGINE TYPE
POWERED BY
HONDA

GEARBOX
1450RPM
DRIVE

COLD
WATER
OUTPUT



HERO INNOVATIONS

- JWPP™**
Jetwave UDOR™ Italian Premium Pump
- AVPS™**
Anti Vibration Protection System
- PMC™**
Panel/Bulk Head Mounted HP/LP Points
- EFI™**
Electronic Fuel Injection Technology
- TURN KEY SOLUTION**
Quality assured and ready to go



APPLICATIONS

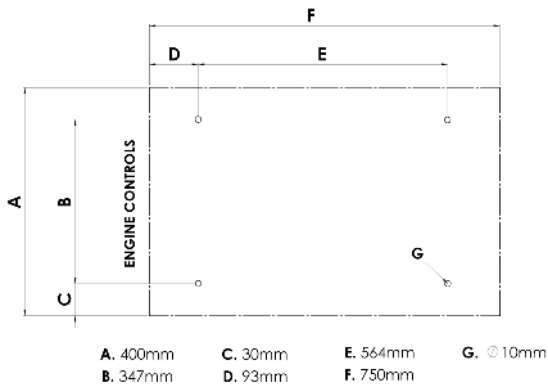
- High Pressure Cleaning
- Drain Cleaning
- Truck, Ute & Trailer Mounting
- External Water Tank & Bypass Ready



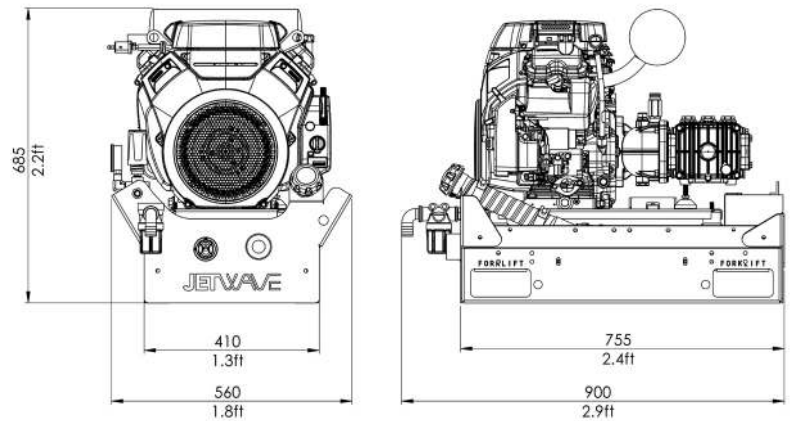
STANDOUT FEATURES

- JW® UDOR® Premium Italian plunger pump running at 1450RPM, delivers more performance and longer life.
- Intelligent V-Twin EFI Honda™ iGX700 industrial series engine with **auto choke & electronic fuel injection** with electric key start and digital engine hour meter.
- Jetwave Safety System™ (JSS)** safety valve to prevent over pressurisation.
- Seamless 25L on-board fuel tank under chassis mount, with level gauge.
- Battery isolator** to prevent battery voltage loss, when not in use.
- Integrated forklift pockets & mounting points.

MOUNTING FOOTPRINT



DIMENSIONS (MM)



TECHNICAL DATA

PMG G2FI 350-23

Product Code	PM5000-23PEG2FI
Pressure / Flow Rate	5075 PSI (350 BAR) / 23 L/PM (1380 L/PH) / 6 GPM
Max Water Inlet Temp	60°C / 140°F
Class (AS/NZS: 4223)	B (8,050 Bar/Litres)
Usage Frequency	Professional: Daily Usage
Nozzle Size	05
Frame Structure	CNC Modular galvanised steel chassis plus satin powder coat finish

MOTOR FEATURES

Engine / Power	Honda™ iGX700 EFI Electric Start (air cooled) 23HP / 700cc
Fuel Type / Capacity / Protection	Unleaded / 25L (w/level gauge) / Low Oil Shutdown

HYDRAULIC FEATURES

Pump / Head / Pistons	JW® UDOR® Premium Triplex Plunger / Brass (Nickle Plated) / Ceramic
Motor Pump Coupling / Pump RPM	Gearbox Drive / 1450RPM
Unloader Valve	Independent (Panel Mounted)
Safety Valve	Yes

DIMENSIONS & WEIGHT

Machine Dimensions / Weight	Skid: 755mm(L) x 560mm(W) x 685mm(H) / 130KG (approx.)
-----------------------------	--

WARRANTY(S)

Pump Warranty*	2 Years
Engine Warranty*	3 Years

OPTIONAL UPGRADES

iGX Load Sensing Auto Throttle	AUTOSPEED
Low Level Water Cut Out Kit	JWA220
Emergency Stop	JWA404
Internal Bypass Plumbing	JWA-INTERNBP

Copyright © 2023 Jetwave® Group Pty Ltd. All Rights Reserved.

The manufacturer reserves the right to modify design features and technical facts without notice, due to our principals of continuous improvement.

*Coverage against defects in material and workmanship (refer to Jetwave's and component partners T&Cs).

V3.0 09/23



303 Copland Street, East Wagga Wagga NSW 2650

equipment@amds.com.au

(02) 6921 2011 or 0428 212 011

www.amds.com.au