

SENATOR™ G2FI 275-20



4000
275 BAR
PSI

20
L/PM

HONDA V-TWIN
iGX700 EFI PETROL
ENGINE TYPE
POWERED by
HONDA

GEARBOX
1450RPM
DRIVE

COLD
WATER
OUTPUT



—Optional - Trolley Kit

HERO INNOVATIONS



PEXO™
Stainless Steel Exoskeleton



JWPP™
Jetwave Italian Premium Pump



CC™
Centralised Control



EFI™
Electronic Fuel Injection Technology



MC™
Multi Configuration



Senator G2 Video



Registered Design @ 202215872

APPLICATIONS



Tradesmen



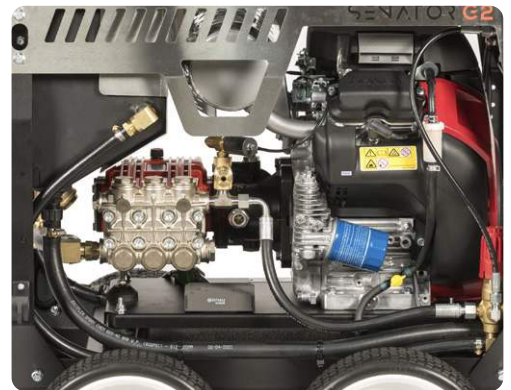
Commercial Cleaners



Shipping & Logistics



Construction



STANDOUT FEATURES



JW® UDOR® Premium Italian plunger pump running at 1450RPM, delivers more performance and longer life.



Intelligent V-Twin EFI Honda™ iGX700 industrial series engine with **auto choke & electronic fuel injection** with electric key start and digital engine hour meter.



Jetwave Safety System™ (JSS) safety valve to prevent over pressurisation.



Seamless & sealed 40L on-board oversized water bypass tank w/low level cut out, for unit water supply and pump protection in bypass.



Battery isolator & emergency stop for increased safety and longevity.



Seamless under chassis mounted 25L fuel tank (w/level gauge) protected from heat with front fill point safety.

STANDARD EQUIPMENT



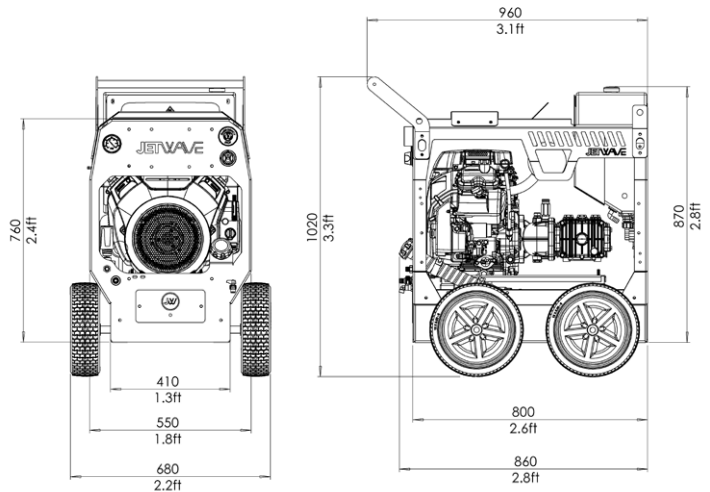
Gun: J5500k low trigger force gun w/swivel & lance coupling system.

Lance: JW Straight stainless steel lance w/ snap coupling + nozzle w/protector & tail



Hose: 10m non marking double wire braid hose w/M22 couplings

DIMENSIONS (MM)



TECHNICAL DATA 0:00

SENATOR™ G2FI₂₇₅₋₂₀

Product Code	CW4000-20PEG2FI
Pressure / Flow Rate	4000 PSI (275 BAR) / 20 L/PM (1,200 L/PH) / 5.3 GPM
Max Water Inlet Temp	50°C / 122°F
Class (AS/NZS: 4223)	A (5,500 Bar/Litres)
Usage Frequency	Professional: Daily Uasge
Nozzle Size	05
Frame Structure	CNC Modular galvanised steel chassis plus satin powder coat finish and stainless steel cover

MOTOR FEATURES

Engine / Power	Honda™ iGX700 EFI Electric Start (air cooled) 23HP / 700cc
Fuel Type / Capacity / Protection	Unleaded / 25L (w/level gauge) / Low Oil Shutdown

HYDRAULIC FEATURES

Pump / Head / Pistons	JW® UDOR® Premium Triplex Plunger / Brass (Nickle Plated) / Ceramic
Motor Pump Coupling / Pump RPM	Gearbox Drive / 1450RPM
Unloader Valve	Independent (Panel Mounted)
Safety Valve	Yes

DIMENSIONS & WEIGHT

Machine Dimensions / Weight	Skid: 860mm(L) x 550mm(W) x 870mm(H) / 150KG (approx.)
-----------------------------	--

WARRANTY(S)

Unit / Pump Warranty*	2 Years
Engine Warranty*	3 Years

OPTIONAL ACCESSORIES

30m Hose Reel w/30m total hose	1060CMPL-SEN30M
60m Hose Reel w/60m total hose	1067CMPL-SEN60M
JW Pro Turbo Head	JWA303-05
JW Easy Foam Kit	JW73.1
21" Hammerhead - Stainless Steel	JWA-FSC22-5.05
30" Hammerhead - Stainless Steel	JWA-FSC30.06

OPTIONAL UPGRADES

4 Wheel Trolley Kit	JWA407-S
Hose Reel Roller Guide System HGS™	1067-GUIDEASSY (1067 Only)

Copyright © 2024 Jetwave® Group Pty Ltd. All Rights Reserved.

The manufacturer reserves the right to modify design features and technical facts without notice, due to our principals of continuous improvement.

*Coverage against defects in material and workmanship (refer to Jetwave's and component partners T&Cs).

V4.0 07/24



303 Copland Street, East Wagga Wagga NSW 2650

equipment@amds.com.au

(02) 6921 2011 or 0428 212 011

www.amds.com.au