

# SENATOR™ G2FI 280-31



**4060**  
280 BAR  
**PSI**

**31**  
L/PM

**HONDA V-TWIN**  
**iGX800 EFI PETROL**  
**ENGINE TYPE**  
POWERED BY  
**HONDA**

**GEARBOX**  
1450RPM  
**DRIVE**

**COLD**  
**WATER**  
**OUTPUT**



--- Optional - Trolley Kit

## HERO INNOVATIONS



**PEXO™**  
Stainless Steel Exoskeleton



**JWPP™**  
Jetwave Italian Premium Pump



**CC™**  
Centralised Control



**EFI™**  
Electronic Fuel Injection Technology



**MC™**  
Multi Configuration



Registered Design @ 202215872

## APPLICATIONS



Tradesmen



Commercial Cleaners



Shipping & Marine



Construction



## STANDOUT FEATURES



JW® UDOR® Premium Italian plunger pump running at 1450RPM, delivers more performance and longer life.



Intelligent V-Twin EFI Honda™ iGX800 industrial series engine with **auto choke & electronic fuel injection** with electric key start and digital engine hour meter.



**Jetwave Safety System™ (JSS)** safety valve to prevent over pressurisation.



Seamless & sealed 40L on-board oversized water bypass tank with low level cut out, for unit water supply and pump protection.



**Battery isolator & Emergency stop** for increased safety and longevity.



Seamless under chassis mounted 25L fuel tank (w/level gauge) protected from heat with front fill point safety.

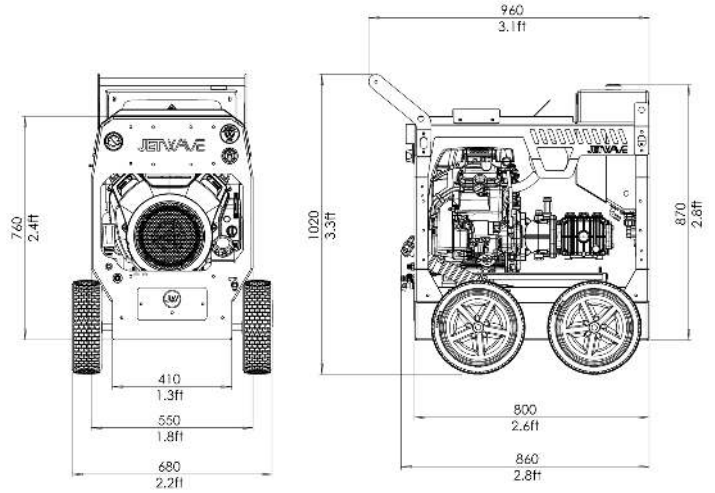
## STANDARD EQUIPMENT



**Gun:** J5500k low trigger force gun w/swivel & lance coupling system.

**Lance:** JW Straight stainless steel lance w/ snap coupling + nozzle w/protector & tail

## DIMENSIONS (MM)



## TECHNICAL DATA 0:00

## SENATOR G2FI 280-31

Product Code	CW4000-31PEG2FI
Pressure / Flow Rate	4060 PSI (280 BAR) / 31 L/PM (1860 L/PH) / 8 GPM
Max Water Inlet Temperature	60°C / 140°F
Class (AS/NZS: 4223)	B (8,680 Bar/Litres)
Usage Frequency	Professional: Daily
Nozzle Size	08
Frame Structure	CNC Modular galvanised steel chassis plus satin powder coat finish and <b>stainless steel cover</b>

## MOTOR FEATURES



Engine / Power	Honda™ iGX800 EFI Electric Start (air cooled) 25 HP / 800cc
Fuel Type / Capacity / Protection	Unleaded / 25L (w/level gauge) / Low Oil Shutdown

## HYDRAULIC FEATURES



Pump / Head / Pistons	JW® UDOR® Premium Triplex Plunger / Brass (Nickle Plated) / Ceramic
Motor Pump Coupling / Pump RPM	Gearbox Drive / 1450RPM
Unloader Valve	Independent (Panel Mounted)
Safety Valve	Yes



## DIMENSIONS & WEIGHT



Machine Dimensions / Weight	Skid: 860mm(L) x 550mm(W) x 870mm(H) / 150KG (approx.)
-----------------------------	--

## WARRANTY(S)



Unit / Pump Warranty*	 2 Years
Engine Warranty*	 3 Years

## OPTIONAL ACCESSORIES

## OPTIONAL UPGRADES

30m Hose Reel w/30m total hose	1060CMPL-SEN30M	4 Wheel Trolley Kit	JWA407-S
60m Hose Reel w/60m total hose	1067CMPL-SEN60M	Hose Reel Roller Guide System HGS™	1067-GUIDEASSY (1067 Only)
JW Pro Turbo Head	JWA303-08		
21" Hammerhead - Stainless Steel	JWA-FSC22-5.08		
30" Hammerhead - Stainless Steel	JWA-FSC30.075		

Copyright © 2023 Jetwave® Group Pty Ltd. All Rights Reserved.

The manufacturer reserves the right to modify design features and technical facts without notice, due to our principals of continuous improvement.

\*Coverage against defects in material and workmanship (refer to Jetwave's and component partners T&Cs).

V3.0 08/23



 303 Copland Street, East Wagga Wagga NSW 2650

 [equipment@amds.com.au](mailto:equipment@amds.com.au)

 (02) 6921 2011 or 0428 212 011

 [www.amds.com.au](http://www.amds.com.au)