

SENATOR™ G2 280-21



4060
280 BAR
PSI

21
L/PM

HONDA GX690
PETROL
ENGINE TYPE
POWERED by HONDA.

GEARBOX
1450RPM
DRIVE

COLD WATER
OUTPUT



—Optional - Trolley Kit

HERO INNOVATIONS



PEXO™
Stainless Steel Exoskeleton



JWPP™
Jetwave Italian Premium Pump



CC™
Centralised Control



AVPS™
Anti Vibration Protection System



MC™
Multi Configuration



Registered Design @ 202215872

APPLICATIONS



Tradesmen



Commercial Cleaners



Shipping & Logistics



Construction



STANDOUT FEATURES



JW® UDOR® Premium Italian plunger pump running at 1450RPM, delivers more performance and longer life.



Electric start industrial V-Twin Honda™ GX690 series engine with digital engine hour meter.



Jetwave Safety System™ (JSS) safety valve to prevent over pressurisation.



Seamless & sealed 40L on-board oversized water bypass tank w/low level cut out, for unit water supply and pump protection in bypass.



Battery isolator & emergency stop for increased safety and longevity.



Seamless under chassis mounted 25L fuel tank (w/level gauge) protected from heat with front fill point safety.

STANDARD EQUIPMENT



Gun: J5500k low trigger force gun w/swivel & lance coupling system.

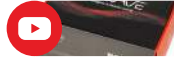
Lance: JW Straight stainless steel lance w/ snap coupling + nozzle w/protector & tail



Hose: 15m non marking double wire braid hose w/M22 couplings

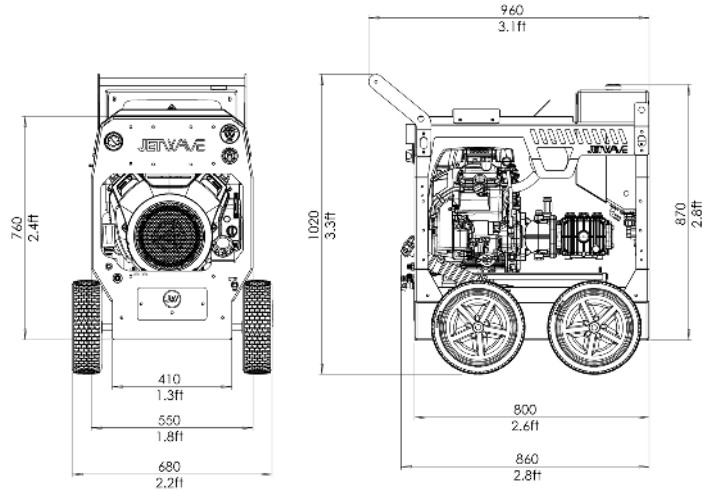


Chemical: JW easy foam kit w/IL bottle



G2 WASHBOX VIDEO

DIMENSIONS (MM)



TECHNICAL DATA 0:00

SENATOR[™] G2₂₈₀₋₂₁

Product Code	CW4000-2IPEG2
Pressure / Flow Rate	4060 PSI (280 BAR) / 21 L/PM (1,260 L/PH) / 5.5 GPM
Max Water Inlet Temp	60°C / 140°F
Class (AS/NZS: 4223)	B (5,880 Bar/Litres)
Usage Frequency	Professional: Daily Usage
Nozzle Size	05
Frame Structure	CNC Modular galvanised steel chassis plus satin powder coat finish and stainless steel cover

MOTOR FEATURES

Engine / Power	Honda [™] GX690 Electric Start (air cooled) 23HP / 690cc
Fuel Type / Capacity / Protection	Unleaded / 25L (w/level gauge) / Low Oil Shutdown



HYDRAULIC FEATURES

Pump / Head / Pistons	JW [®] UDOR [®] Premium Triplex Plunger / Brass (Nickle Plated) / Ceramic
Motor Pump Coupling / Pump RPM	Gearbox Drive / 1450RPM
Unloader Valve	Independent (Panel Mounted)
Safety Valve	Yes

DIMENSIONS & WEIGHT

Machine Dimensions / Weight	Skid: 860mm(L) x 550mm(W) x 870mm(H) / 150KG (approx.)
-----------------------------	--

WARRANTY(S)

Unit / Pump Warranty*	 2 Years
Engine Warranty*	 3 Years

OPTIONAL ACCESSORIES

30m Hose Reel w/30m total hose	1060CMPL-SEN30M
60m Hose Reel w/60m total hose	1067CMPL-SEN60M
JW Pro Turbo Head	JWA303-05
21" Hammerhead - Stainless Steel	JWA-FSC22-5.05
30" Hammerhead - Stainless Steel	JWA-FSC30.06

OPTIONAL UPGRADES

4 Wheel Trolley Kit	JWA407-S
Hose Reel Roller Guide System HGS [™]	1067-GUIDEASSY (1067 Only)

Copyright © 2023 Jetwave[®] Group Pty Ltd. All Rights Reserved.

The manufacturer reserves the right to modify design features and technical facts without notice, due to our principals of continuous improvement.

*Coverage against defects in material and workmanship (refer to Jetwave's and component partners T&Cs).

V3.0 08/23



 303 Copland Street, East Wagga Wagga NSW 2650

 equipment@amds.com.au

 (02) 6921 2011 or 0428 212 011

 www.amds.com.au