

# SCORPION™ G2FI 280-31

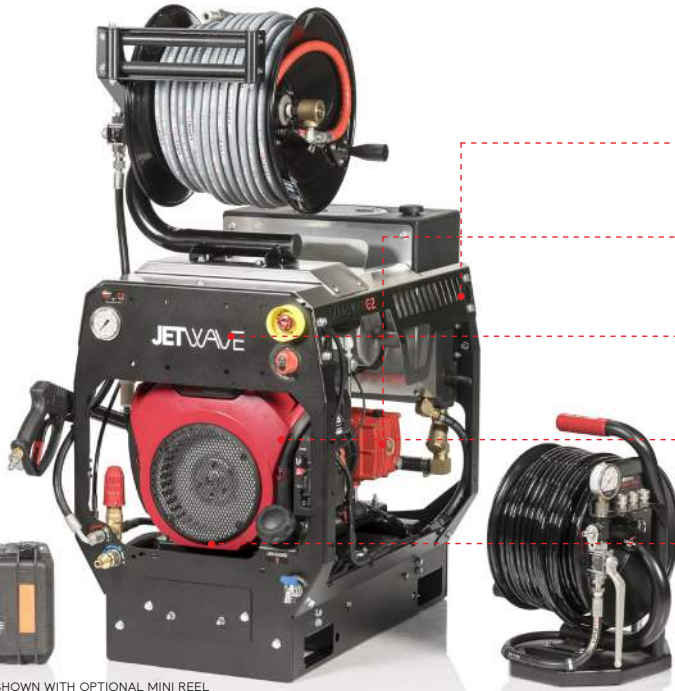
**4060**  
280 BAR  
**PSI**

**31**  
**L/PM**

**HONDA V-TWIN**  
**iGX800 EFI PETROL**  
**ENGINE TYPE**  
POWERED BY  
**HONDA**

**GEARBOX**  
1450RPM  
**DRIVE**

**COLD**  
**WATER**  
**OUTPUT**



SHOWN WITH OPTIONAL MINI REEL

## HERO INNOVATIONS



**PEXO™**  
Stainless Steel Exoskeleton



**JWPP™**  
Jetwave Italian Premium Pump



**CC™**  
Centralised Control



**MC™**  
Multi Configuration



**AST™**  
Auto Speed Technology



**CLASS B** AS/NZS 4233.1  
WATER JETTER  
RTO CERTIFICATION IS REQUIRED FOR OPERATORS



Registered Design © 202215872

## APPLICATIONS



Plumbers



Council & Municipality



Drain Cleaning



Water Authorities



## STANDOUT FEATURES



JW® UDOR® Premium Italian plunger pump running at 1450RPM, delivers more performance and longer life.



Seamless & sealed 40L on-board oversized water bypass tank with low level cut out, for unit water supply and pump protection.



Intelligent V-Twin EFI Honda™ iGX800 industrial series engine with automatic RPM's, auto choke & electronic fuel injection with electric key start and digital engine hour meter.



Battery isolator & Emergency stop for increased safety and longevity.



Integrated forklift pockets & mounting points. Jetwave Safety System™ (JSS) safety valve to prevent over pressurisation.



Seamless under chassis mounted 25L fuel tank (w/level gauge) protected from heat with front fill point safety.

## STANDARD EQUIPMENT



**Gun:** J5500k low trigger force gun w/swivel & lance coupling system.

**Lance:** JW Straight stainless steel lance w/snap coupling + nozzle w/protector & tail



**Hose:** 60m 3/8" jetting hose.

**Hose Reel:** 60m Pro rapid style w/ball valve & hose reel roller guides (HGS™)



**Nozzles:** JW Professional nozzle kit IP68 w/pelican case.

**Safety:** Hose whip restraint.

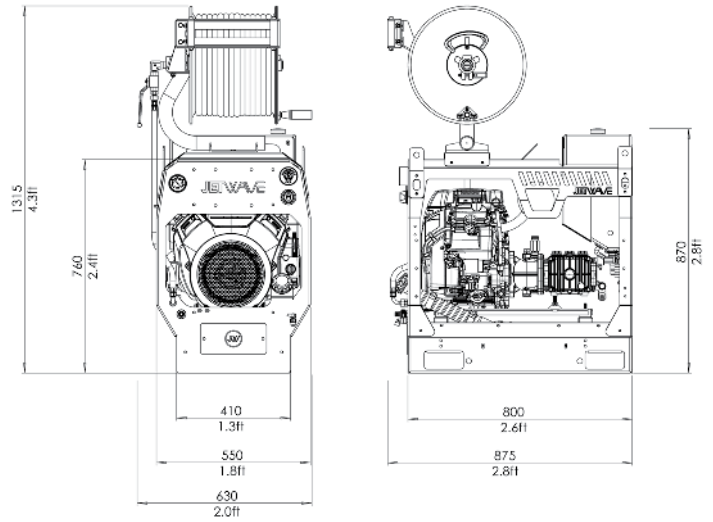


G2 WASHBOX VIDEO

MULTIPLE CONFIGURATIONS AVAILABLE



## DIMENSIONS (MM)



## TECHNICAL DATA

# SCORPION 280-31

Product Code	HJ4000-31PHFI
Pressure/ Flow	4060 PSI (280 BAR) / 31 L/PM (1860 L/PH) / 8 GPM
Max Water Inlet Temp	60°C / 140°F
Class (AS/NZS: 4223)	B (8,050 Bar/Litres)
Usage Frequency	Professional: Daily Usage
Nozzle Size	08
Frame Structure	CNC Modular galvanised steel chassis plus satin powder coat finish and <b>stainless steel cover</b>

## MOTOR FEATURES

Engine / Power	Honda™ iGX800 EFI Electric Start (air cooled) 25 HP / 800cc
Fuel Type / Capacity / Protection	Petrol / 25L (w/level gauge) / Low Oil Shutdown



## HYDRAULIC FEATURES

Pump / Head / Pistons	JW® UDOR® Premium Triplex Plunger / Brass (Nickle Plated) / Ceramic
Motor Pump Coupling / Pump RPM	Gearbox Drive / 1450RPM
Unloader Valve	Independent (Panel Mounted)
Safety Valve	Yes

## DIMENSIONS & WEIGHT

Machine Dimensions / Weight	Skid No Hose Reel: 875mm(L) x 550mm(W) x 870mm(H) / 195KG (approx.)
-----------------------------	---

## WARRANTYS

Unit / Pump Warranty*	 2 Years / 3 Years
Engine Warranty*	 3 Years

## OPTIONAL ACCESSORIES

Remote Mini Reel w/60m 1/4" Hose	PW134-RRCMPL/HOP4
Remote Mini Reel Locking Plate	9G2-0012HRH-LP
Forward Root Cutting Nozzle	C43RS
15m Viperflex Whip Hose	HOP2VFX15-ASSY
Jetting Safety Plate	JSP
Class B Double Action Foot Valve	55403-DA

## OPTIONAL UPGRADES

4 Wheel Trolley Kit	JWA407S
Front Double Stack Kit	JWA-429C
Top Double Stack Kit	JWA-430C
Low Pressure Inlet Hose Reel w/30m hose	1067CMPLLP
Remote Start/Stop	00030

Copyright © 2023 Jetwave® Group Pty Ltd. All Rights Reserved.

The manufacturer reserves the right to modify design features and technical facts without notice, due to our principals of continuous improvement.


\*Coverage against defects in material and workmanship (refer to Jetwave's and component partners T&Cs).

V3.0 08/23



 303 Copland Street, East Wagga Wagga NSW 2650

 [equipment@amds.com.au](mailto:equipment@amds.com.au)

 (02) 6921 2011 or 0428 212 011

 [www.amds.com.au](http://www.amds.com.au)