

HORNET™ G2 280-15



4060
280 BAR
PSI

15
L/PM

HONDA GX390
PETROL
ENGINE TYPE
POWERED BY
HONDA

GEARBOX
1450RPM
DRIVE

COLD
WATER
OUTPUT



HERO INNOVATIONS



PEXO™
Stainless Steel Exoskeleton



JWPP™
Jetwave Italian Premium Pump



CC™
Centralised Control



AVPS™
Anti Vibration Protection System



MC™
Multi Configuration



LEARN MORE



Registered Design © 202215870

APPLICATIONS



Tradesmen



Commercial & Exterior Cleaning



Agriculturist



Construction



STANDOUT FEATURES



JW® UDOR® Premium Italian plunger pump running at 1450RPM, delivers more performance and longer life.



Industrial Honda™ GX390 pull start series engine that delivers performance and reliability.



Jetwave Safety System™ (JSS) thermal and safety valve to prevent overheating in excessive bypass and over pressurisation.



Zero line pressure brass adjustable unloader valve.



Anti flat all terrain wheels for reliable portability on site.



Emergency stop for increased operator safety.

STANDARD EQUIPMENT



Gun: J5500k low trigger force gun w/swivel & lance coupling system.

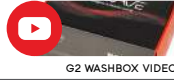
Lance: JW Straight stainless steel lance w/ snap coupling + nozzle w/protector & tail



Hose: 15m non marking double wire braid hose w/M22 couplings

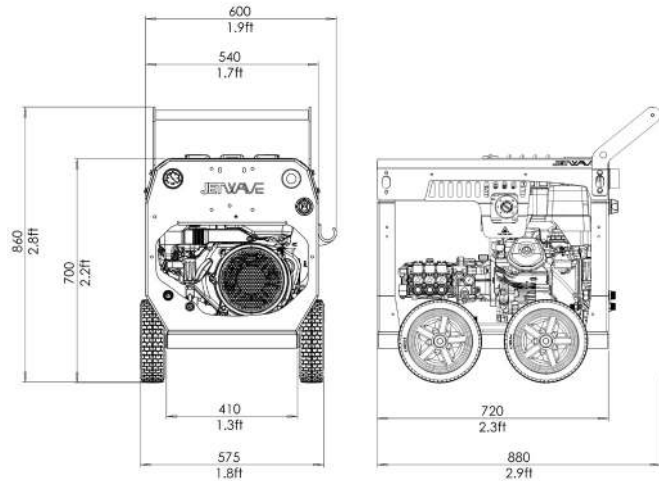


Chemical: JW easy foam kit w/1L bottle



G2 WASHBOX VIDEO

DIMENSIONS (MM)



TECHNICAL DATA

HORNET™ G2 280-15

Product Code	CW4000-15PG2
Pressure / Flow Rate	4060PSI (280 BAR) / 15 L/PM (900 L/PH) / 4 GPM
Max Water Inlet Temp	60°C / 140°F
Class (AS/NZS: 4223)	A (4,200 Bar/Litres)
Usage Frequency	Professional: Daily
Nozzle Size	O4
Frame Structure	CNC Modular galvanised sheet steel chassis plus satin powder coat finish and stainless steel cover

MOTOR FEATURES

Engine / Power	Honda™ GX390 Pull Start (air cooled) 13HP / 390cc
Fuel Type / Capacity / Protection	Unleaded / 6.1L / Low Oil Shutdown



HYDRAULIC FEATURES

Pump / Head / Pistons	JW® UDOR® Premium Triplex Plunger / Brass (Nickle Plated) / Ceramic
Motor Pump Coupling / Pump RPM	Gearbox Drive / 1450RPM
Unloader Valve	Independent (Zero) - Adjustable (Panel Mounted)
Safety Valve	Yes

DIMENSIONS & WEIGHT

Machine Dimensions / Weight	880mm(L) x 575mm(W) x 860mm(H) / 86KG (approx.)
-----------------------------	---

WARRANTY(S)

Unit / Pump Warranty*	 2 Year(s)
Engine Warranty*	 3 Year(s)

OPTIONAL ACCESSORIES

30m Hose Reel	1060CMLP-H30M
JW Pro Turbo Head	JWA303-04
21" Hammerhead FSC - Stainless Steel	JWA-FSC22-5.04

OPTIONAL UPGRADES

Wheel Brake System Kit	JWA-WBS
Engine Hour Meter	TACHHOUR8075

Copyright © 2023 Jetwave® Group Pty Ltd. All Rights Reserved.

The manufacturer reserves the right to modify design features and technical facts without notice, due to our principals of continuous improvement.

*Coverage against defects in material and workmanship (refer to Jetwave's and component partners T&Cs).

V3.0 08/23