

EXECUTIVE™ SILENT 275-20



4000
275 BAR
PSI

20
L/PM

KOHLER KDI1903
42HP
DIESEL
ENGINE TYPE
KOHLER Diesel

DIRECT
1500RPM
DRIVE

HOT
WATER
OUTPUT



HERO INNOVATIONS



PEXO™
Enclosed Design



JWPP™
Jetwave Italian Premium Pump



INTELIUMS™
LCD Control System



OLCE™
Oversized Liquid Cooled Engine



ULDO™
Ultra Low Decibel Output



CLASS A AS/NZS 4203.1
HIGH PRESSURE CLEANER
NO RTO CERTIFICATION REQUIRED FOR OPERATORS



APPLICATIONS

- Industrial Cleaning
- Factories & Manufacturing
- Mine Sites
- Oil & Gas



STANDOUT FEATURES

- JW® UDOR® Premium Italian plunger pump running at 1500RPM direct with soft coupling to the engine, allows longer life and no reduction method.
- Oversized Liquid Cooled Kohler™ KDI1903 42HP diesel engine that optimises all speeds and loads.
- InteliUMS™ LCD Unit management system displays live data read outs, warnings and auto shutdown to protect the units critical components.
- Sound proof cabinet ensures ultra low noise emissions approx 70dB allowing after hours cleaning in built up areas
- Enclosed steel cabinet protection keeps all critical working components safe from weather and operator error.
- Battery isolator & emergency stop. Lockable diesel fuel fill point for added safety.

STANDARD EQUIPMENT



Gun: J5500k low trigger force gun w/swivel & lance coupling system.

Lance: JW Straight stainless steel lance w/ snap coupling + nozzle w/protector & tail



Hose: 15m non marking double wire braid hose w/M22 couplings

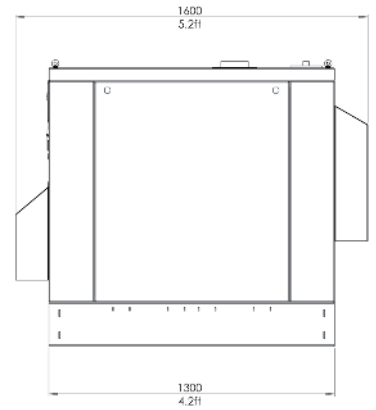


Chemical: JW easy foam kit w/1L bottle



G2 WASHBOX VIDEO

DIMENSIONS (MM)



TECHNICAL DATA 0:00

EXECUTIVE SILENT 275-20

Product Code	HW4000-20DI
Pressure / Flow Rate	4000 PSI (275 BAR) / 20 L/PM (1200 L/PH) / 5.2 GPM
Max Water Inlet Temp	60°C / 140°F
Class (AS/NZS: 4223)	Class A (5,500 Bar/Litres)
Usage Frequency	Industrial: Continuous Usage
Nozzle Size	05
Frame Structure	CNC Modular skid galvanised steel chassis plus satin powder coat finish w/removable side covers

MOTOR FEATURES

Engine / Power	Kohler™ KDI1903 Electric Push Button Start (liquid cooled) 42HP / 1861cc
Fuel Type / Capacity / Protection	Diesel / 100L (Common) / IntelliUMS™ Auto Shutdown Protection

HYDRAULIC FEATURES

Pump / Head / Pistons	JW® UDOR® Premium Triplex Plunger / Brass (Nickle Plated) / Ceramic
Motor Pump Coupling / Pump RPM	Direct Soft Coupling / 1500RPM
Unloader Valve	Independent
Safety Valve	Yes

HYDRAULIC FEATURES

Burner Model	Vertical 12v High Flow Series
Fuel Supply / Capacity / Consumption	Diesel / 100L / 5.74 L/PH
Coil / Housing Material	Mild steel 3mm wall seamless (500BAR rated) / Zinc coated steel

DIMENSIONS & WEIGHT

Machine Dimensions / Weight	1400mm(L) x 1100mm(W) x 1270mm(H) / 633KG
-----------------------------	---

WARRANTY(S)

Unit / Pump Warranty*	 2 Years
Engine Warranty*	KOHLER .Diesel 3 Years

OPTIONAL ACCESSORIES

OPTIONAL UPGRADES

JW Pro Turbo Head	JWA303-05	Mine Specification Kit	SILENTMINESPEC
21" Hammerhead FSC - Stainless Steel	JWA-FSC22-5.05		

Copyright © 2023 Jetwave® Group Pty Ltd. All Rights Reserved.

The manufacturer reserves the right to modify design features and technical facts without notice, due to our principals of continuous improvement.


*Coverage against defects in material and workmanship (refer to Jetwave's and component partners T&Cs).

V3.0 08/23



 303 Copland Street, East Wagga Wagga NSW 2650

 equipment@amds.com.au

 (02) 6921 2011 or 0428 212 011

 www.amds.com.au